

# 'Y' TYPE STRAINERS

Type 707.1 - ANSI #150 lb

Type 707.2 - ANSI #300 lb

Type 707.3 - ANSI #600 lb

Cast body

Flanged Cover

Sizes 2" to 24"

Flanged or Butt-Welding

For more than twenty years CONACO™ 'Y' strainers have been considered as the industry standard for the protection of valves, pumps, turbines and any other pipeline equipment requiring a contaminant-free operation.

### Design:

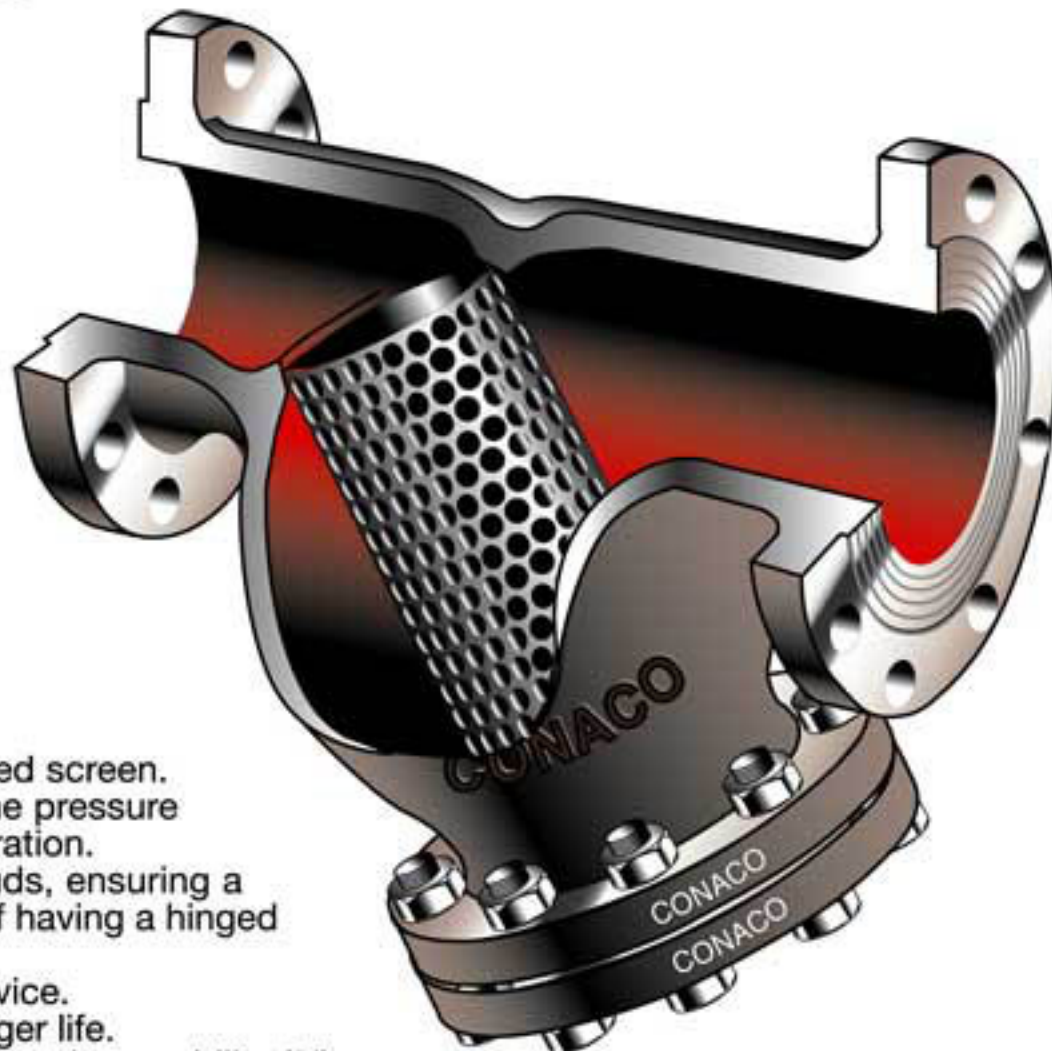
- Very low pressure drop, due to the generously sized screen. An exclusive proprietary software can calculate the pressure drop for any design condition and strainer configuration.
- Cover fastened with bolts and nuts instead of studs, ensuring a better sealing, easy maintenance and the option of having a hinged cover. Pressure seal cover for high pressure leak-free service.
- Very high corrosion allowance on thickness for longer life.
- Face to face dimension to ANSI B16.10 for easy interchangeability (2" and larger).

### Range of existing patterns:

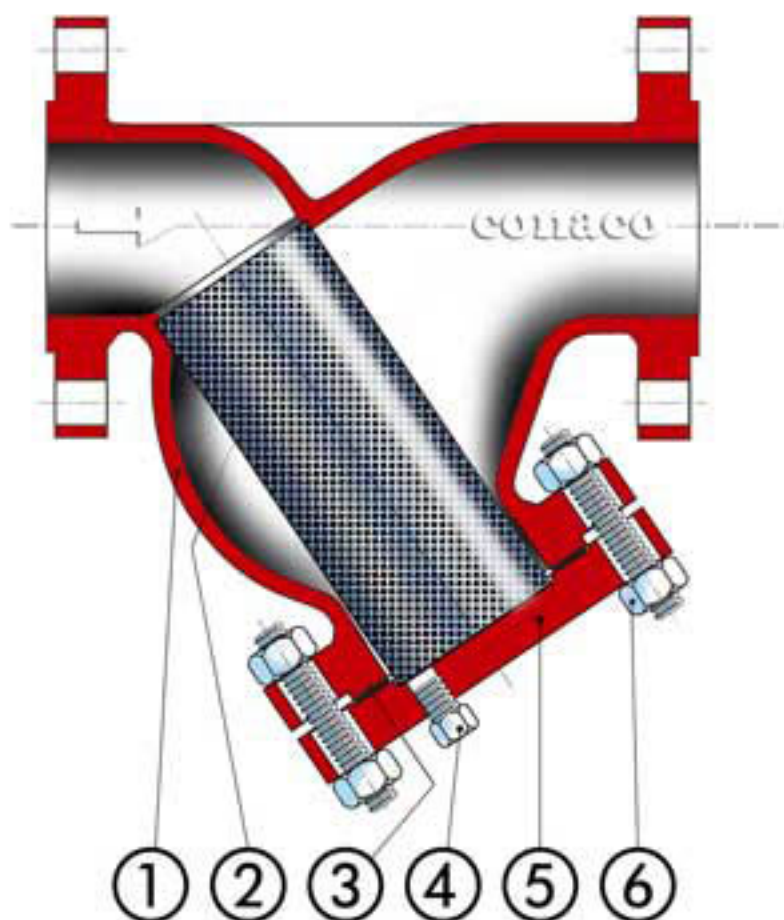
- From 1/2" to 24" ANSI #150 and 300 lb
- From 1/2" to 16" ANSI #600, 900 and 1500 lb
- From 1/2" to 14" ANSI #2500 lb.

### Manufacturing:

- Full traceability of all parts of all strainers ever produced.
- All strainers are individually Hydrostatically tested to API 598
- Quality System to ISO 9001
- **CE** marking



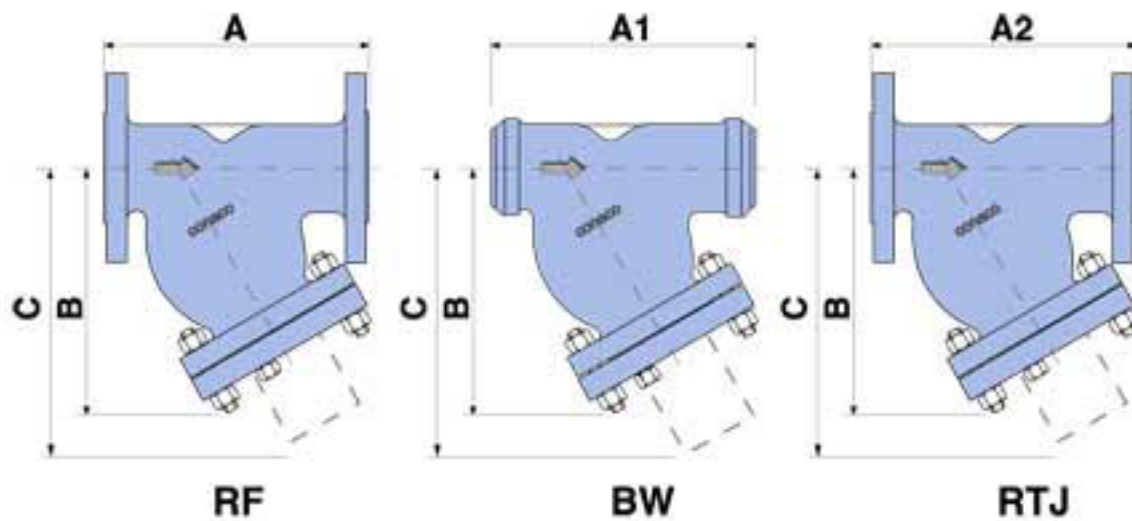
## Parts List and Standard Materials



Other materials available.

① Body	② Screen	③ Gasket
ASTM A216 WCB ASTM A216 WCC ASTM A352 LCB ASTM A352 LCC ASTM A217 WC1 ASTM A217 WC6 ASTM A217 WC9 ASTM A217 C5 ASTM A217 C12 ASTM A351 CF3 ASTM A351 CF8 ASTM A351 CF3M ASTM A351 CF8M UNS S31803 UNS S32760 UNS S31254 ALUMINIUM BRONZE	AISI 304 AISI 316 AISI 316L DUPLEX STEEL 6MO MONEL HASTELLOY INCONEL	SPWND St. STEEL+GRAPHITE ARMCO RING JOINTS
④ Plug	⑤ Cover	⑥ Bolting
ASTM A105 ASTM A350 LF2 ASTM A182 F1 ASTM A182 F5 ASTM A182 F9 ASTM A182 F11 ASTM A182 F22 ASTM A182 F304 ASTM A182 F304L ASTM A182 F316 ASTM A182 F316L ASTM A182 F51 ASTM A182 F44 ALUMINIUM BRONZE	ASTM A105 ASTM A350 LF2 ASTM A182 F1 ASTM A182 F5 ASTM A182 F9 ASTM A182 F11 ASTM A182 F22 ASTM A182 F304 ASTM A182 F304L ASTM A182 F316 ASTM A182 F316L ASTM A182 F51 ASTM A182 F44 ALUMINIUM BRONZE	ASTM A193 B7-A194 2H ASTM A320 L7-A194 Gr.4 ASTM A193 B8-A194 Gr.8

SIZE	Class 150 lb						Class 300 lb						Class 600 lb						
	A	A1	B	C	Kg <sub>RF</sub>	Kg <sub>BW</sub>	A	A1	B	C	Kg <sub>RF</sub>	Kg <sub>BW</sub>	A	A1	A2	B	C	Kg <sub>RF-RTJ</sub>	Kg <sub>BW</sub>
2"	203	203	210	290	14	9	267	267	215	310	19	14	292	292	295	230	310	20	12
2½"	216	216	220	360	20	14													
3"	241	241	255	385	26	18	318	318	270	390	34	23	356	356	359	260	340	48	34
4"	292	292	310	450	40	28	356	356	325	465	60	41	432	432	435	310	450	82	50
5"	356	356	340	480	61	42													
6"	406	406	410	620	70	52	445	445	440	670	113	79	559	559	562	460	540	180	110
8"	495	495	470	720	110	81	559	559	500	790	188	137	660	660	663	650	920	280	190
10"	622	622	600	820	171	130	622	622	538	820	254	182	787	787	790	600	1000	500	365
12"	699	699	672	1100	264	204	711	711	699	1150	420	325	711	711	714	720	1200	580	405
14"	787	787	730	1250	350	272	838	838	865	1420	670	526	889	889	892	865	1420	770	540
16"	914	914	885	1480	643	556	914	914	910	1510	758	562	991	991	994	970	1590	1135	815
18"	978	978	885	1480	680	568	978	978	910	1510	863	615							
20"	1016	1016	1060	1800	895	750	1016	1016	1060	1800	1125	885							
24"	1346	1346	1300	2220	1370	1180	1346	1346	1300	2220	1625	1180							



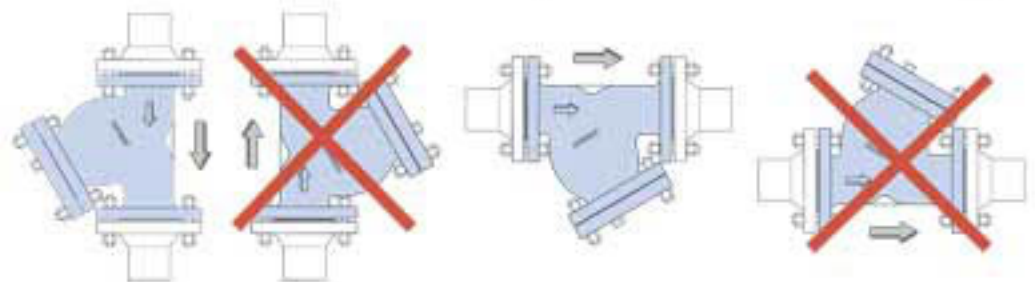
- Dimensions and weights are approximate.
- Standard blow off plug ¾" NPT.
- Standard screen perforated plate 1.5 mm dia. holes.
- Flanged ends to ANSI B16.5.
- BW ends to ANSI B16.25.
- Cover flange to manufacturer's standard.
- Self centering cover gasket.

**Optional Special Features**

- CONNECTIONS: Clamps or special flanges
- SCREEN: Double or triple layers (mesh on perf. plate, mesh on mesh), magnetic assemblies
- DRAIN: Any combination of nipples, flanges, valves and plugs
- VENT: Optional connection
- DP GAUGE: Optional connections
- LINING: Epoxy
- COATING: Any painting cycle

**Installation**

- Strainers should be installed as close as possible to the machinery or valve to be protected. The arrow cast on the strainer body must point to the direction of the flow.
- For installation on horizontal or inclined pipelines, the screen housing must be below the pipeline.
- Never install a "Y" type strainer on vertical pipelines with flow directed upwards. Refer to the figures below (a special Conaco™ patented 'Y' strainer configuration is available when installation on vertical upwards lines is unavoidable).



**How To Order**

Always specify: type - rating - end connections - size - body/screen material - filtering degree - drain type

**Example: No 1 Type 707.2 - #300RF - 10" - WCB/304 - 1.5mm perf - ¾" NPT Plug**

Ask our technical department for the correct sizing with the lowest pressure drop for your application.

**Other Conaco Strainers**

Product	Data Sheet
150 to 2500 lb 1/2" to 1.1/2" type 777 'Y' Strainers	700.9710
900, 1500, 2500 lb, flanged cover, type 707 'Y' Strainers	702.9710
1500 & 2500 lb, pressure seal, type 707 'Y' Strainers	703.9710
800 lb forged type 767 'Y' Strainers	704.9710
Type 407 'Tee' Strainers	407.9710
Type 444 'Top Hat' Strainers	444.9710
150, 300, 600 lb cast, Type 507 'Basket' Strainers	507.0309

a division of **Inoxfucine S.p.A.**

**Via V. Monti, 81**  
**20145 Milano (Italy)**  
**Tel: +39 0248 15055**  
**Fax: +39 0248 16670**  
**e-mail: sales@conaco.it**  
**www.conaco.it**