

'Y' TYPE STRAINERS

Type 767 – ANSI #800 lb

Forged body
Screwed Cover
Sizes 1/2" to 1.1/2"
Screwed or Socket-Welding

For almost twenty years CONACO™ 'Y' strainers have been considered as the industry standard for the protection of valves, pumps, turbines and any other pipeline equipment requiring a contaminant-free operation.

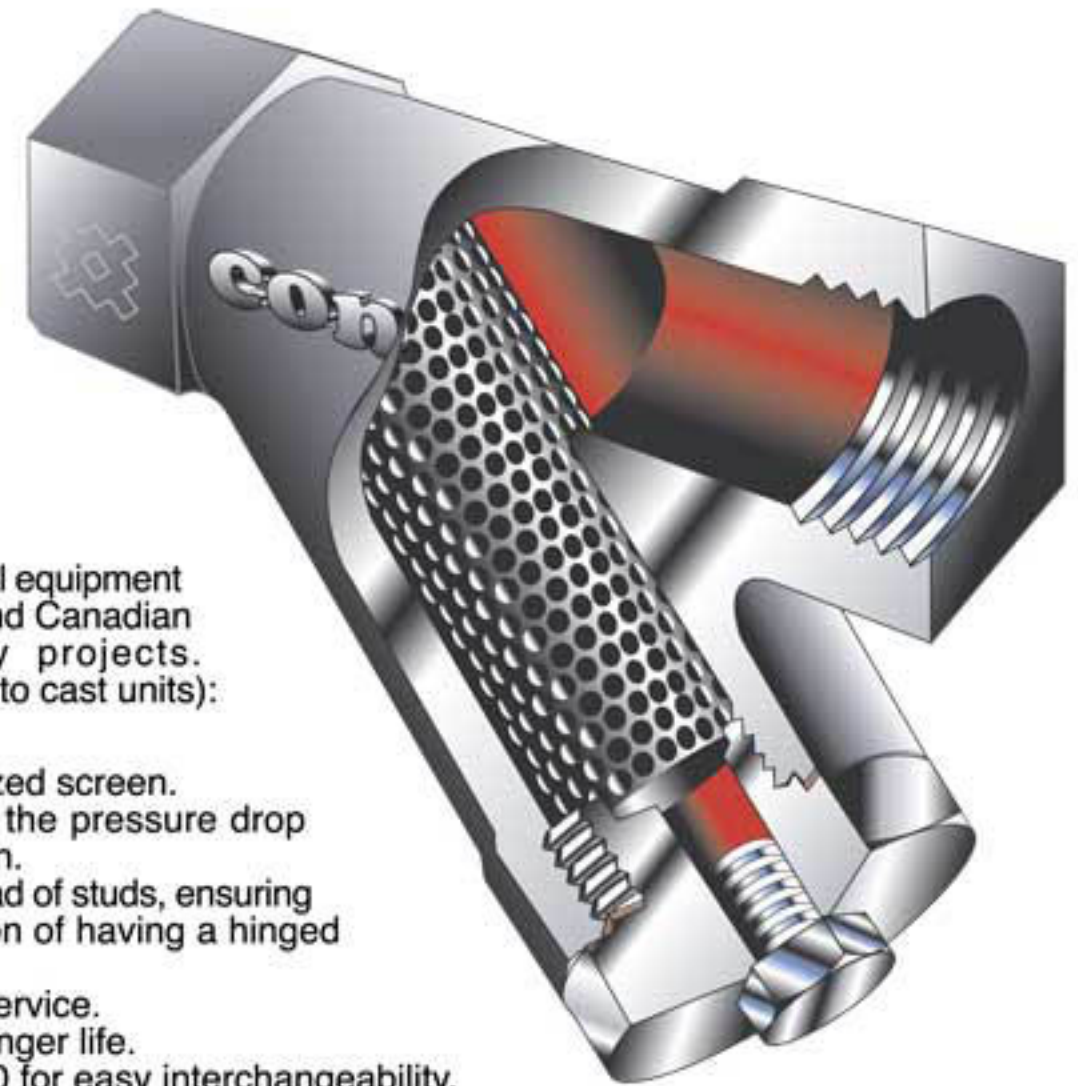
CONACO™ strainers have been chosen as the original equipment for the most exacting applications, from North Sea and Canadian offshore platforms, to desert water supply projects. The reasons for this success are (descriptions apply to cast units):

Design:

- Very low pressure drop, due to the generously sized screen. An exclusive proprietary software can calculate the pressure drop for any design condition and strainer configuration.
- Cast units' cover fastened with bolts and nuts instead of studs, ensuring a better sealing, easy maintenance and the option of having a hinged cover. Pressure seal cover for high pressure leak-free service.
- Very high corrosion allowance on thickness for longer life.
- Cast units' face to face dimension to ANSI B16.10 for easy interchangeability.

Range of existing patterns:

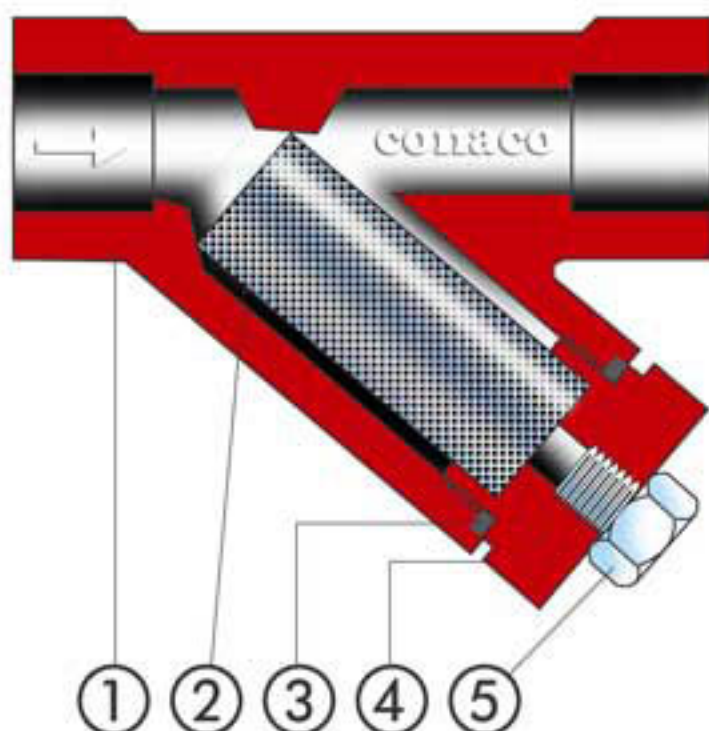
- From 1/2" to 24" ANSI #150 and 300 lb
- From 1/2" to 16" ANSI #600, 900 and 1500 lb
- From 1/2" to 14" ANSI #2500 lb.



Manufacturing:

- Full traceability of all parts of all strainers ever produced.
- All strainers are individually Hydrostatically tested to API 598
- Quality System to ISO 9001
- marking

Parts List and Standard Materials



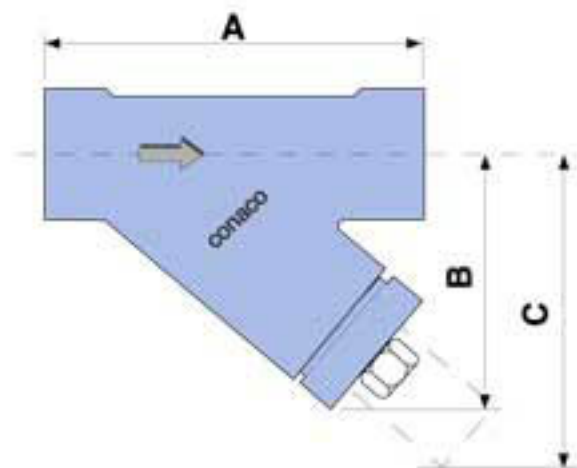
Other materials available.

① Body	② Screen	③ Gasket
ASTM A105 ASTM A350 LF2 ASTM A182 F316	AISI 304 AISI 316 MONEL	SP.WND SI. STEEL + GRAPHITE
④ Cover	⑤ Plug	
ASTM A182 F304 ASTM A182 F316	ASTM A105 ASTM A350 LF2 ASTM A182 F316	

Dimensions And Weights

SIZE	A	B	C	Kg
1/2"	90	60	80	0.75
3/4"	110	75	110	1
1"	130	93	150	2
1.1/2"	160	120	200	6

- Dimensions and weights are approximate.
- Standard blow off plug 1/4" NPT.
- Standard screen perforated plate 0.8 mm dia. holes.
- NPT ends to ANSI.B2.1
- SW ends to ANSI B16.11.
- For bolted cover see Data Sheet 700.9710

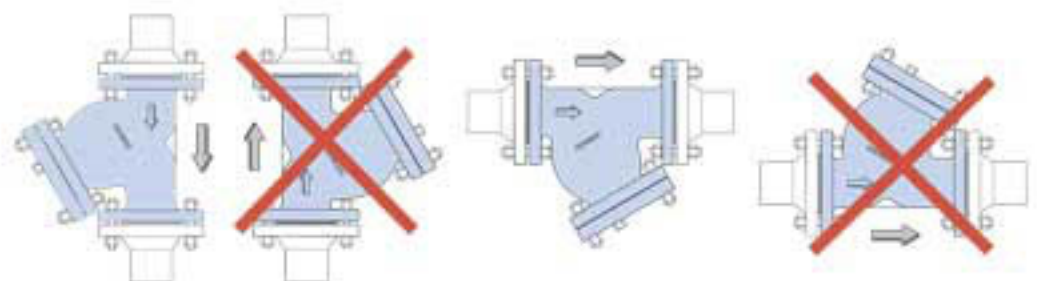


Installation

- Strainers should be installed as close as possible to the machinery or valve to be protected. The arrow cast on the strainer body must point to the direction of the flow.
- For installation on horizontal or inclined pipelines, the screen housing must be below the pipeline.
- Never install a "Y" type strainer on vertical pipelines with flow directed upwards. Refer to the figures below (a special Conaco™ patented 'Y' strainer configuration is available when installation on vertical upwards lines is unavoidable).

Optional Special Features

- SCREEN: Double or triple layers (mesh on perf. plate, mesh on mesh), magnetic assemblies
- DRAIN: Any combination of nipples, flanges, valves and plugs
- LINING: Epoxy
- COATING: Any painting cycle



How To Order

Always specify: type - rating - end connections - size - body/screen material - filtering degree - drain type

Example: No 1 Type 767 - #800SW - 1" - A105/316 - 0.8mm perf - 1/4" NPT Plug

Ask our technical department for the correct sizing with the lowest pressure drop for your application.

Other Conaco Strainers

Product	Data Sheet
150 to 2500 lb 1/2" to 1.1/2" type 777 'Y' Strainers	700.9710
150, 300, 600 lb, flanged cover, type 707 'Y' Strainers	701.9710
900, 1500, 2500 lb flanged cover, type 707 'Y' Strainers	702.9710
1500 & 2500 lb, pressure seal, type 707 'Y' Strainers	703.9710
Type 407 'Tee' Strainers	407.9710
Type 444 'Top Hat' Strainers	444.9710
150, 300, 600 lb cast, Type 507 'Basket' Strainers	507.0309



Via V. Monti, 81
20145 Milano (Italy)
Tel: +39 0248 15055
Fax: +39 0248 16670
e-mail: sales@conaco.it
www.conaco.it